

# PSS Pressure Switch

## Pressure Switch



### PSS Pressure Switch

This pressure switch with a built-in microswitch is designed for a long time use with hydraulic apparatus.

#### Features

1. **Long life** by a special plunger and sealing method.
2. **Superb reproducibility** by large contact capacity.
3. **Suitable for heavy duty** where the press, casting machine, etc. are used.
4. **Easy pressure setting** by a simplified setting scale.
5. **Small and lightweight** by compact design.
6. **Body turning 360°** by union-joint connection.
7. **Readily mounted** by turning the joint alone.
8. **Multidirectional connector cable outlet**; back and forth, up and down.



**ASAHI GAUGE MFG. CO., LTD.**  
JAPAN

## Standard manufacturing specifications

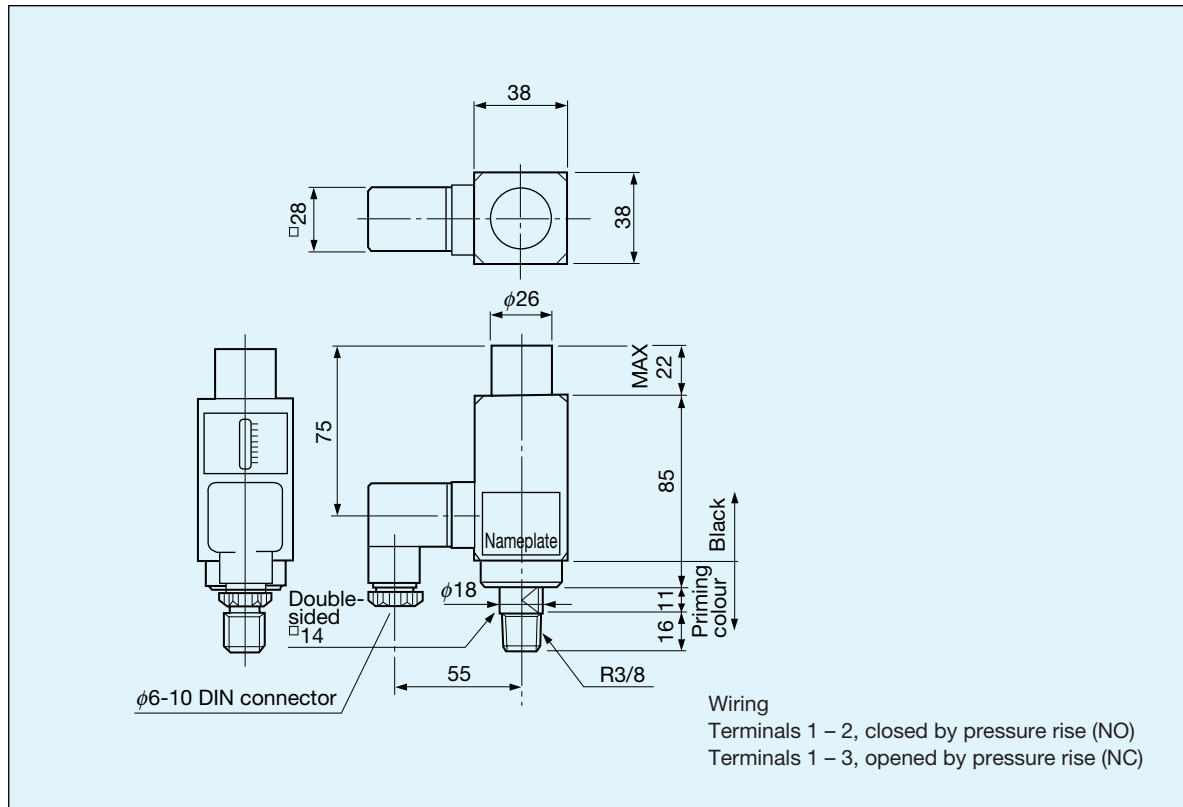
When ordering, please specify the model code.

Model	Size	Connection screw	Model code	Pressure range MPa	Presetable range MPa	Breaking difference MPa	Other	
PSS	□38	R3/8 *1	PSS-10	0~10	1~10	1~2 or under	Reproducibility	±1%F.S
			PSS-25	0~25	5~25	2.5 or under	Wet part material	SUS304+NBR+C3604B
			PSS-35	0~35	5~35	3.5 or under	Number of contacts	1 SPDT
			PSS-50	0~50	10~50	5 or under	Working temperature	-25~+85°C
			PSS-70	0~70	10~70	7 or under	Outside finish	Black
						Weight	approx. 480 g	

\*1 Other screws are made to order. \*2 A 100 MPa version is made to order.

## Electric rating

Rated voltage (V)	Resistance load (A)	Inductive load (A)
AC250	10	2
DC 30	4	2
DC125	0.5	0.4



## Installing procedures:

1. Use tools, such as a wrench.
2. The breaking difference (open-close pressure difference) cannot be adjusted.
3. Set the yellow setting indicator in the switch's window for a desired value by turning the cap screw on top of the switch with a hexagon-head wrench (M6). To increase the value, turn the screw clockwise and to reduce it, turn it counterclockwise.
4. Use a tester or the lamp to check turn-on/off operation of the microswitch.

Durability: mechanical life, 5 million times or over.

electric life, 1 million times or over (100 V AC, 0.2 A, inductive load).

Note: These specifications may be changed for improvements without notice.

