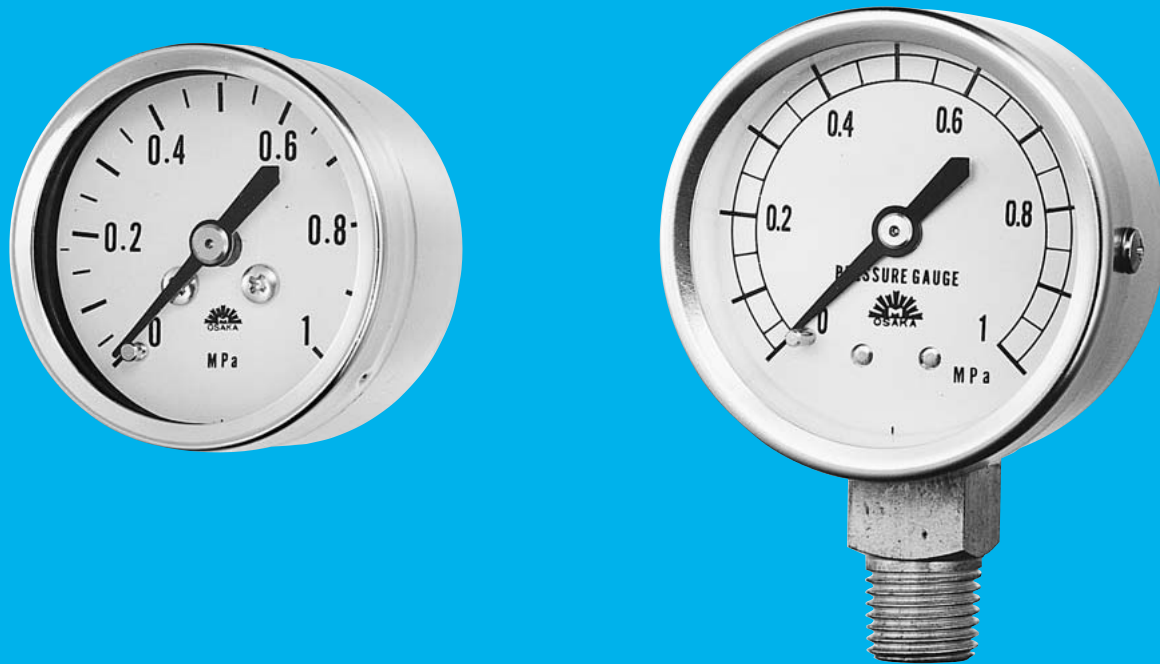


SMALL-SIZE PRESSURE GAUGES



Outline

These small pressure gauges are used as a pneumatic adjusting meter or a transducer or as their peripheral instruments. They consist of a high-torque low-hysteresis Bourdon tube, precision-machined gears and a linking mechanism. Their functions comply with JIS B7505 standards.

Standard manufacturing specifications

Model	101-A510	101-F510	101-A620	101-F620	315-F510	315-A620	315-F620
Size	40		50		40	50	
Type	AT	FT	AT	FT	FT	AT	FT
Connection screw	R ¹ / ₈		R ¹ / ₄		R ¹ / ₈	R ¹ / ₄	
Case	Bayonet				Screw cap		
Outside finish	Chromed, painted black		Chrome alumite	Chromed, painted black	Chromed, painted black	Chromed, painted black	
Connection Bourdon material	BRASS						
Precision	±1.6%FS						
Working temperature	-5~ +45°C						



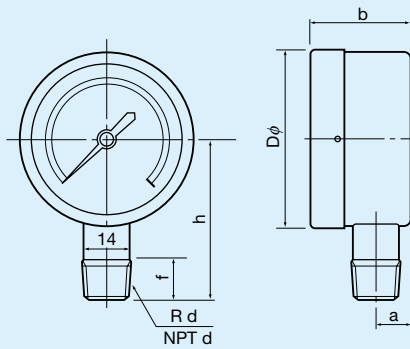
Standard scales and the number of divisions

MPa	0.1	0.2	0.3	0.4	0.6	1	1.5	2	2.5	3	3.5
40	20	20	30	20	30	20	30	20	25	30	35
50	20	20	30	20	30	20	30	20	25	30	35

1. A product, size 40 and 0.2 MPa, is available with a 180-degree scale angle.
2. Gauges for 5, 10, 25 and 30 MPa are also made to order.
3. The connection Bourdon with an SUS 316 range is made to order.
Please note that size 40 gauges are soldered.
4. An SUS case is made to order.
5. An NPT screw is also custom-made depending on the quantity per order.

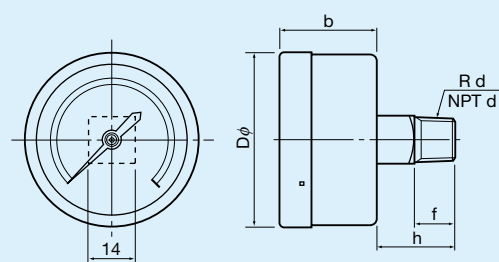
Outside dimensions

101-A



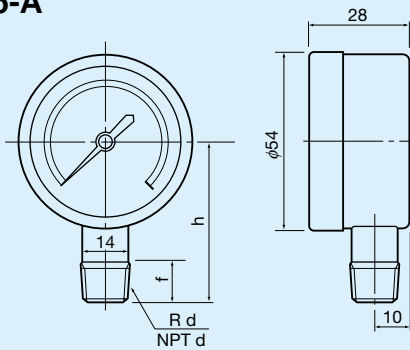
Size	d	D	a	b	f	h
40	1/8	41	9	26	10	41
50	1/4	53	10	28	12	50

101-F



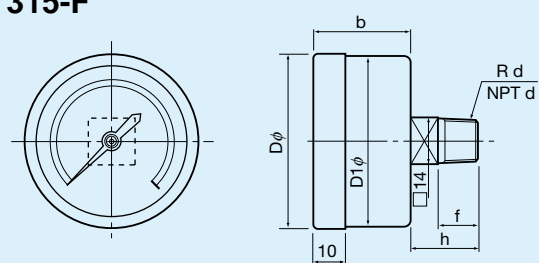
Size	d	D	b	f	h
40	1/8	41	26	10	16
50	1/4	53	29	12	20

315-A



Size	d	f	h
50	1/4	12	49

315-F



Size	d	D	D ₁	b	f	h
40	1/8	44	42.5	26	10	16
50	1/4	54	52	29	12	20

Note: These specifications may be changed for improvements without notice.