

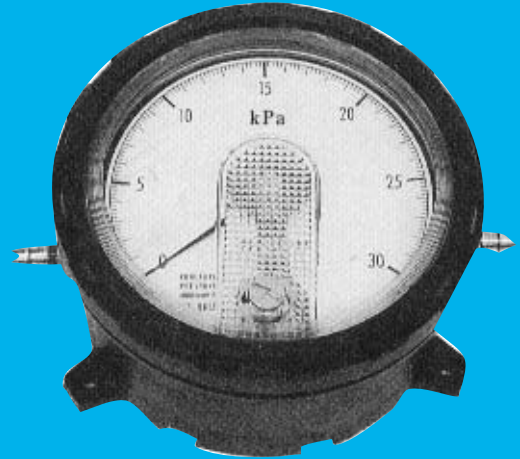
# LOW RANGE DIFFERENTIAL PRESSURE GAUGE

## Description

This differential pressure gauge mainly detects the differential pressure caused by pressure drop of the air filter for air-conditioning. The gauge is used for the very low range pressure measurement.

## Features

- \* Diaphragm uses the silicon rubber that has small hysteresis.
- \* The movement uses the highly sensitive internal mechanism which friction is low to the utmost.
- \* High pressure-resistant.
- \* Zero adjustment is possible from outside.
- \* For the wall-mounting type gauge, the connection of high pressure side and the low pressure side can be reversed by exchanging the right and left stepped joints.



## Specifications for manufacturing

Model	Mounting method
783-BL	Wall-mounting type with stepped joints
783-BR	Wall-mounting type with copper pipe joints
783-DL	Embedded type with stepped joints
783-DR	Embedded type with copper pipe joints

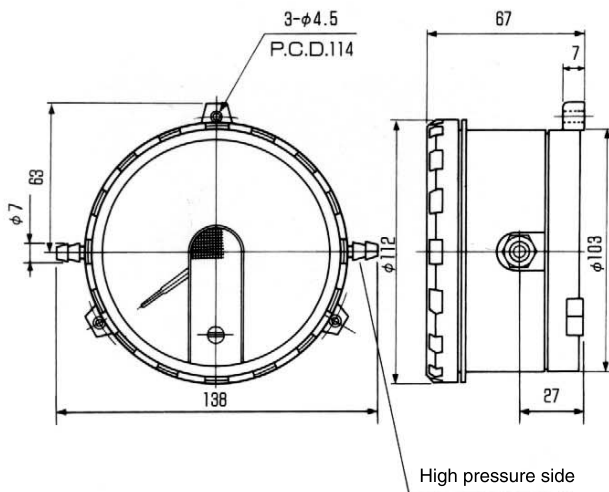
## Specifications

Accuracy	Diaphragm material Diaphragm pressure resistance	Differential pressure range kPa	
$\pm(5\%F.S. + 0.002kPa)$	Silicon rubber 10kPa	0~0.05 0.01~0~0.04	* Size : $\phi 85$ * Scale angle : 250° wide angle scale (Scale length: About 180mm) * Measurement object : Air or gases without corrosiveness * Differential pressure gauge structure : Weather proof case type * Case material : Plastic * Element : Diaphragm (Silicon rubber) * Operating ambient temperature : -20~+60° C * Pressure inlet : Stepped joint(BS)···Standard : Copper pipe joint (BS) In the case of wall-mounting type : High pressure side joint (Red) Low pressure side joint (Blue) Standard model is manufactured so that the right hand side is the high-pressure side.
$\pm(2.5\%F.S. + 0.002kPa)$		0~0.1 0.05~0~0.05 0.1~0~0.1 0~0.2	
$\pm(1.6\%F.S. + 0.002kPa)$	Silicon rubber 40kPa	0~0.3 ~0.5 ~1 ~2 ~3 ~5 0.05~0~0.25 0.2~0~0.2 0.3~0~0.3 0.5~0~0.5 1~0~1	* Installation : Vertical or horizontal * Case pressure resistance : 200 kPa * Temperature tolerance : Within 1% of the maximum rating value (10~30° C)
		Silicon rubber 150kPa	



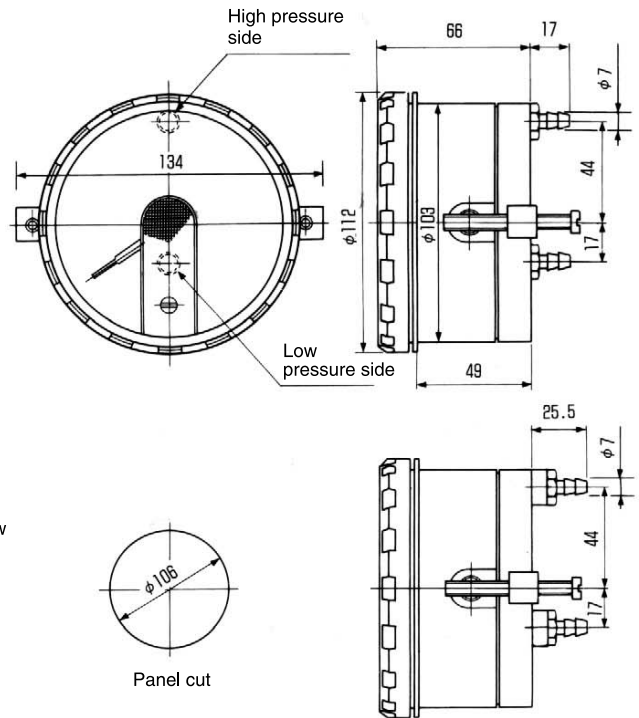
## Outline dimensions

### 783-BL



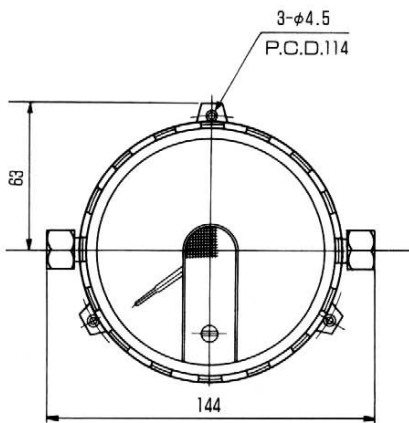
The high pressure side and the low pressure side can be reversed by exchanging the right and left stepped joints.  
 [High pressure side (Red)]  
 [Low pressure side (Blue)]

### 783-DL



0~10, 20, 30  
 In the case of 1~0~1 kPa

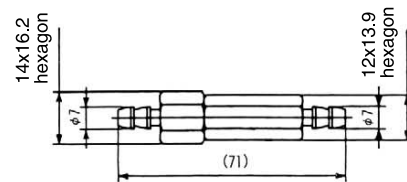
### 783-BR



## Accessory

### Pulsation dampener

Attach the pulsation dampeners on to the high pressure and low pressure sides when the pointer is unsteady due to the turbulent flow and pulsation of the measuring gas.



Model	Applied range kPa
21SD-L2	Less than 0.2 of full scale
21SD-L3	0-03, 0-05, 0-1
21SD-L4	0-2, 0-3, 0-5
21SD-L5	0-10
21SD-L6	0-20, 0-30