

CATALOG No. 1002E

MODEL No. 315, 325, 335

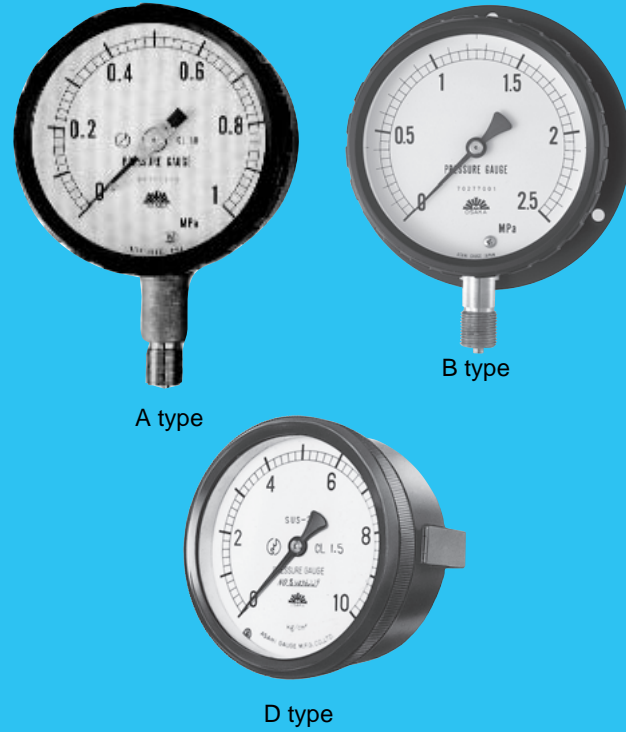
WEATHER PROOF TYPE PRESSURE GAUGE



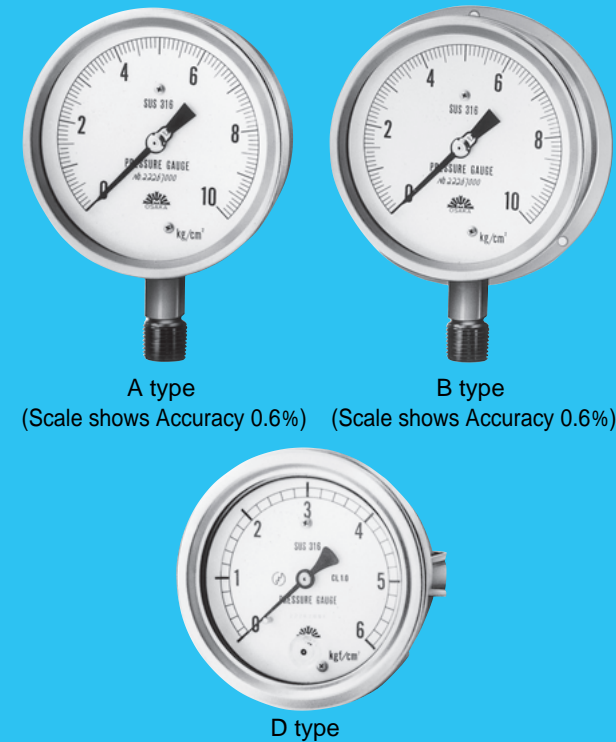
ASAHI GAUGE MFG. CO., LTD.
JAPAN

WEATHER PROOF TYPE PRESSURE GAUGE

Metal case Model 315
Plastic case Model 325



SUS bayonet case Model 335



D type

Description

This pressure gauge is the weather proof pressure gauge based on the JIS B7505 Bourdon-tube pressure gauge standard and mainly applicable for outdoor use or in the hazardous atmosphere.

Function

1. This pressure gauge has the weatherproof grade that satisfies the waterproof inspection and Group 3 water spray test of the JIS F8001 marine electric appliances. Particularly, the bayonet case has the weatherproof grade that satisfies the regulation in Type 4X of NEMA standard.
2. For the corrosion resistant pressure gauge, the Bourdon-tube is arc-welded with the socket.
3. The movement (expanding mechanism) is all stainless steel with excellent friction resistance (for larger than 100) and the external small screws are also stainless steel.

When ordering

Model x Pressure gauge

- Designate
1. With or without zero adjustment pointer and the blow out disc.
 2. Accuracy class

Example

315-B451 x 5MPa Class 1.6 with zero adjustment pointer is based on the follows:

B type casing, material of the metal screw lid case: SUS,
Connection screws : G1/2,
Accuracy: class 1.6, Dial Dia : 100 ,
Range : 0 ~ 5MPa with zero adjustment pointer

Operating condition (JIS standard)

1. The general and vibration resistance types are used in the ambient temperature range of - 5 ~ + 40 °C (including fluid) as a principle, the heat-resistance type is used in the ambient temperature range of - 5 ~ + 80 °C as a principle, and the general type for steam and vibration resistance type for steam are used in the ambient temperature range of 10 ~ 50 °C (however, the product can stand the steam temperature or low temperature temporarily) as a principle.
2. Use the buffer device when the pressure change is rapid.

Standard specifications for manufacturing

Size	Casing	Connection shape	Connection thread	Model					Performance and accuracy class			Pressure range			Main material		Case			Weight (As the metal case A type)							
				Metal screw lid case		Plastic case		SUS bayonet case for corrosion resistance	Class 1.6	Class 1.0 General type	Class 0.6 General type	Vacuum	Compound	Pressure	BS for general type	SUS for corrosion resistance type	Metal case	Plastic case	Bayonet case								
				BS (for general)	SUS (for corrosion resistance)	BS (for general)	SUS (for corrosion resistance)																				
60	A	U	G 1/4 R	315-A230	315-A231			335-A231	General type General type M for steam Vibration resistance type V Vibration resistance type for steam MV	---	---	-0.1MPa-0	MPa -0.1-0.1 -0.2 -0.3 -0.4 -0.6 -1 -1.5 -2 -2.5 -3.5 -5 -7 -10 -15 -25 -50 -70 -100	Socket C3604B (BsBM) and C3771B (BsBF) Bourdon-tube Less than 5MPa: C2700T (BsT) More than 7MPa: SUS316	Socket SUS316 Bourdon-tube SUS316	---	---	---	About 0.25kg								
				-A630	-A631			-B231																			
								-B631																			
	B mounting hole	G 1/4 R	315-D230	315-D231			-D231																				
			-D630	-D631			-D631																				
75	A	T	G 3/8 R	315-A340	315-A341			335-A341	---	---	-0.1MPa-0	MPa -0.1-0.1 -0.2 -0.3 -0.4 -0.6 -1 -1.5 -2 -2.5 -3.5 -5 -7 -10 -15 -25 -50 -70 -100	Socket SUS316 Bourdon-tube SUS316	---	---	---	About 0.4kg										
				-A740	-A741			-A741																			
								-B341																			
	B mounting hole	G 3/8 R	-B340	-B341			-B341																				
			-B740	-B741			-B741																				
D 4	U	G 3/8 R	-D340	-D341			-D341																				
			-D740	-D741			-D741																				
100	A	U	G 3/8 R	315-A350	315-A351	325-A350	325-A351	335-A351	General type General type M for steam Vibration resistance type V Heat resistance type H Heat-vibration resistance type HV Vibration resistance type for steam MV	---	---	-0.1MPa-0	MPa 0-0.05 -0.1 -0.2 -0.3 -0.4 -0.6 -1 -1.5 -2 -2.5 -3.5 -5 -7 -10 -15 -25 -35 -50 -70 -100 -200 is 150	Socket C3604B (BsBM) and C3771B (BsBF) Bourdon-tube Less than 7MPa: C6872T (BsTF) C2700 (BsT) More than 8MPa: SNCM	Socket SUS316 Bourdon-tube SUS316 up to 50MPa SUS630 for more than 70MPa	ADC black semi-frosted	Black nylon with glass fiber	SUS304	About 0.7kg Plastic case is about 0.5kg								
				-A750	-A751	-A750	-A751	-A751																			
								-A451																			
				B mounting hole	G 3/8 R	-A450	-A451	-A450												-A451	-A451						
						-A850	-A851	-A850												-A851	-A851						
	D fixture or mounting hole	U	G 3/8 R	-B350	-B351			-B351																			
				-B750	-B751			-B751																			
	150	A	U	G 3/8 R	315-A380	315-A381	315-A380	325-A381								335-A381	General type General type M for steam	---	---	-0.1MPa-0	MPa -0.1-0.1 -0.2 -0.3 -0.4 -0.6 -1 -1.5 -2 -2.5 -3.5 -5 -7 -10 -15 -25 -35 -50 -70 -100 -200 is 150	Socket C3604B (BsBM) and C3771B (BsBF) Bourdon-tube Less than 7MPa: C6872T (BsTF) C2700 (BsT) More than 8MPa: SNCM	Socket SUS316 Bourdon-tube SUS316 up to 50MPa SUS630 for more than 70MPa	ADC black semi-frosted	Polycarbonate, black	---	About 0.95kg Plastic case is about 0.8kg
					-A780	-A781	-A780	-A781								-A781											
																-A481											
B mounting hole					G 3/8 R	-A480	-A481	-A480	-A481	-A481																	
						-A880	-A881	-A880	-A881	-A881																	
D fixture	U	G 3/8 R	-B380	-B381			-B381																				
			-B780	-B781			-B781																				
D fixture	U.S	G 1/2 R	-B480	-B481			-B481																				
			-B880	-B881			-B881																				
200	B mounting hole	U	G 1/2 R	315-B490	315-B491				General type General type M for steam	---	---	-0.1MPa-0	MPa -0.1-0.1 -0.2 -0.3 -0.4 -0.6 -1 -1.5 -2 -2.5 -3.5 -5 -7 -10 -15 -25 -35 -50 -70 -100 -200 is 150	Socket C3604B (BsBM) and C3771B (BsBF) Bourdon-tube Less than 7MPa: C6872T (BsTF) C2700 (BsT) More than 8MPa: SNCM	Socket SUS316 Bourdon-tube SUS316 up to 50MPa SUS630 for more than 70MPa	AC7A black semi-frosted	---	---	About 1.9kg								
				-B890	-B891																						
	D mounting hole	S	G 1/2 R	-D490	-D491																						
				-D890	-D891																						

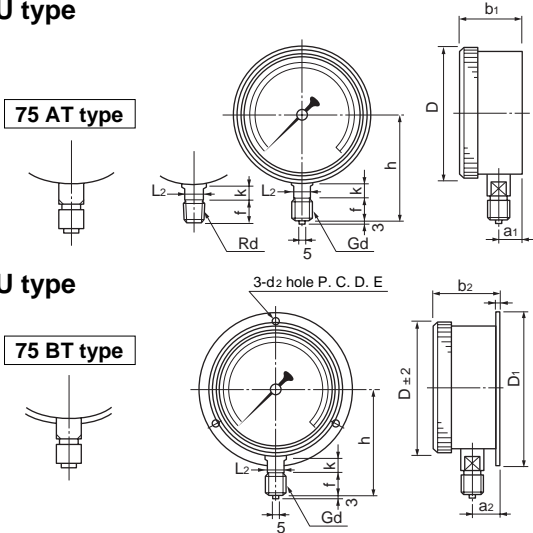
1. Class 0.6 of 100 and 0 ~ 0.05MPa of 150 cannot be indicated in JIS.
2. 100 bayonet case less than Class 0.6 of 0 ~ 0.2MPa is not available.
3. D type of 100 bayonet case uses the fixture type.
4. For the 4.75 metal case, D type uses the mounting hole or the fixture, and the bayonet case is the fixture type.
5. The range more than 50MPa of 60 and 70, cannot be indicated in JIS.

1. Specify "use no oil" for oxygen and acetylene.
2. Specify the material SUS316 and "use no oil" for ammonium.
3. For the product of 100, the solid front type (A, D types) with the metal screw lid case is available.
4. The product of UOP standard 115 (4 1/2 inch) with SUS bayonet case is available.
5. NPT screws are available.
6. Products of Japan Petroleum Institution (JPI) are available.

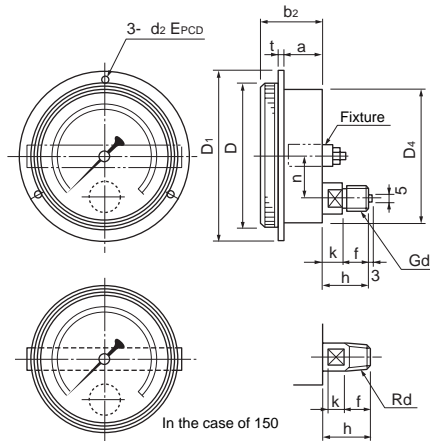
WEATHER PROOF TYPE PRESSURE GAUGE

Model 315 325

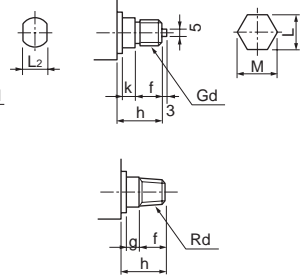
AU type



DU type



DS type



AU type, BU type

Size	Thread d	D	D ₁	b ₁	a ₁	b ₂	a ₂	t	d ₂	E	L ₂	K	f	h
75	3/8	80	98	35	14	35	14	2	4.5	88	17	12	18	70
100	3/8	112	128	50	20	52	22	2	5.5	115	14	12	18	88
	(69)			(40)	(71)	(42)	17				25	20	104	
150	3/8	164	178	52	20	55	23	3	5.5	165	14	12	18	114
	1/2										17	25	20	129
200	1/2	219	235	-	-	49 (120)	19 (70)	4	5.5	220	17	12	20	155

() dimension for a and b show the product less than the range of 0.2MPa in Class 0.6.

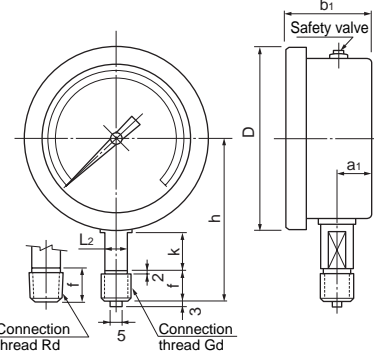
DU type DS type

Size	Connection shape	Thread d	D	D ₁	D ₄	a	b	t	n	f	g,k	L x M, L ₂	h	d ₂	E
75	U	3/8	80	98	77	18	34	2.5	25	18	12	14 30	30	4.5	88
100	U	3/8	112	135	104	32	50	3	32	18	11	14 30	30	5.5	120
	U.S	1/2				20	12			24 x 28	35				
150	U	3/8	164	164	154	30	51	3	55	18	11	14 30	30	-	-
	U.S	1/2				20	12			24 x 28	35				
200	S	1/2	219	235	205	27 (77)	51 (112)	4	55	20	12	24 x 28	35	5.5	220

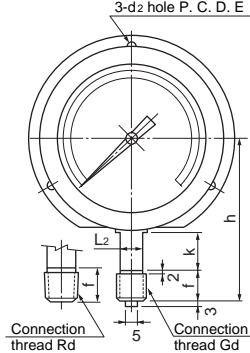
1 For 75 or 200, remove the lid and install to the panel with flat countersunk head screws.
2 a, b () dimension for a and b show the product less than the range of 0.2MPa in Class 0.6.

Model 335 (Bayonet case)

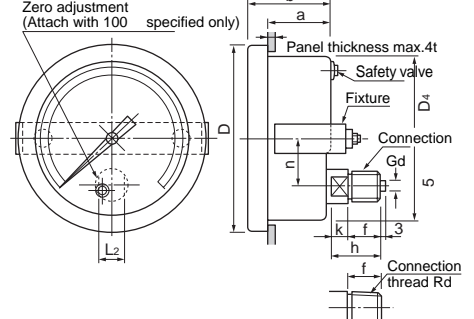
AU type



BU type



DU type



AU type, BU type

Size	Thread d	D	D ₁	a ₁	a ₂	b ₁	b ₂	d ₂	E	f	K	L ₂	h
60	1/4	66.5	80	13	14	35	36	4.5	72	16	10	12	63
75	3/8	87	98	16.5	16.5	44	45	4.5	88	18	12	14	77
100	3/8	118	128	20	20	54	54	5.5	115	18	25	17	102
	1/2									20			104
150	3/8	165	178	22	24	53	55	5.5	165	18	25	17	129
	1/2									20			127

Size	Thread d	D	D ₄	a	b	n	f	K	L ₂	h
60	1/4	66.5	61.5	28	35	18	16	10	12	26
75	3/8	87	76.5	30	44	25	18	11	14	30
100	3/8	118	103	41	54	32	18	12	14	29
	1/2						20		17	33
150	3/8	165	154	34	51	55	18	12	14	30
	1/2						20		17	33

Specifications and dimensions are subject to change without notice.